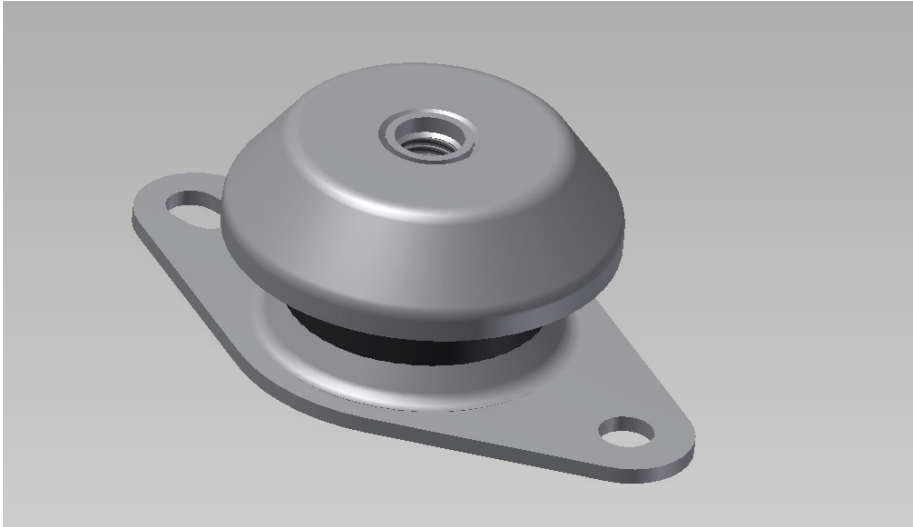


Stable-Flex Mounts

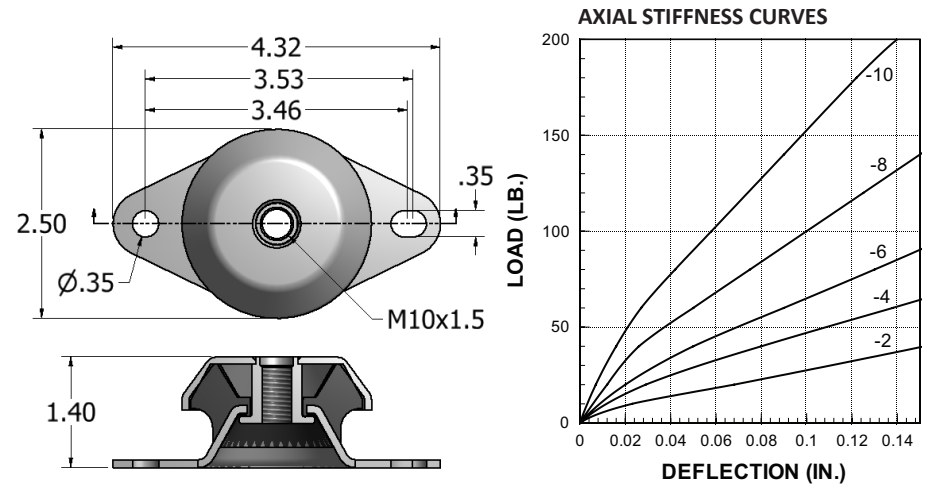


Tech Products' Stable Flex Mounts have been specifically engineered to isolate light weight, low speed equipment. The complex geometry of the elastomer element in the mount provides a low axial stiffness and excellent lateral stability. Common Applications include: Small Engines, Generators, Compressors, Pumps, Other Industrial Equipment, and Various Mobile Applications.

Features:

- Fail-Safe Captive Design
- 8 Hz Natural Frequency at rated loads
- Load range from 30 to 180 lbs.
- Neoprene elastomer resistant to oil, fuel, and solvents
- Standard zinc plated steel components
- Specialty elastomers available including High Damped Silicone

Stable-Flex Mounts



Zinc Plated Part No.	Stainless Steel Part No.	Rated Axial Load (lbs.)	Color Code
52045-2	52045-2SS	30	Yellow
52045-4	52045-4SS	55	Red
52045-6	52045-6SS	75	Green
52045-8	52045-8SS	120	Blue
52045-10	52045-10SS	180	White

Notes:

Add 'A' to part number for 3/8-16 Thread
Stainless Steel parts have two slotted base holes