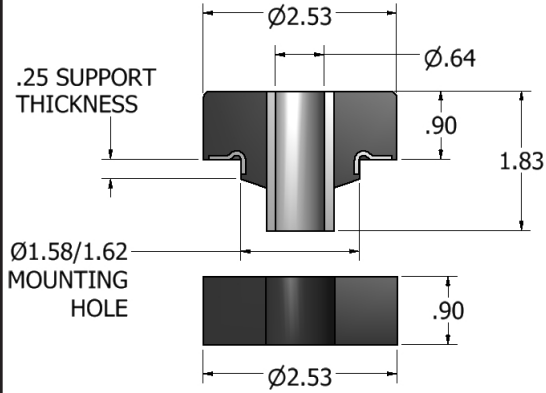


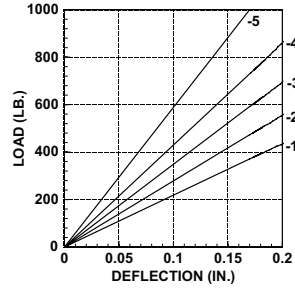
Wear Plate Universal Mounts

60272 Series

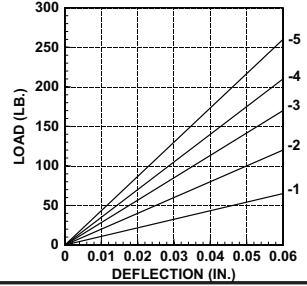


Part No.	Max. Axial Load (lbs.)	Max. Radial Load (lbs.)	Color Code
60272-1	215	40	Yellow
60272-2	360	60	Red
60272-3	490	88	Green
60272-4	860	133	Blue
60272-5	1330	185	White

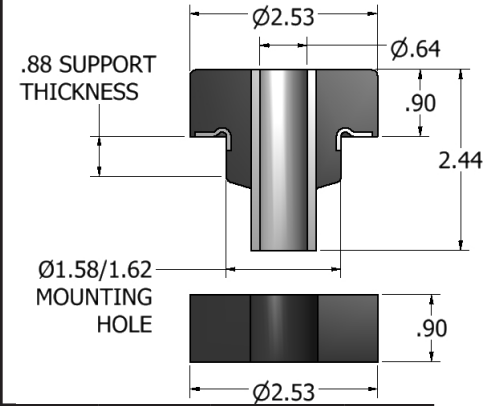
AXIAL LOAD VS DEFLECTION



RADIAL LOAD VS DEFLECTION

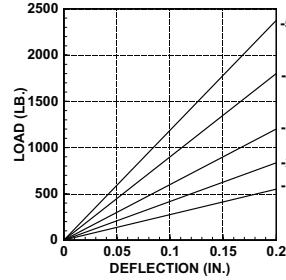


60278 Series

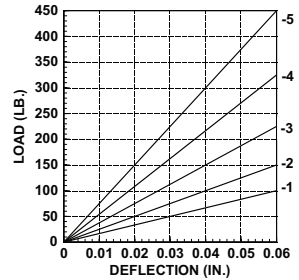


Part No.	Max. Axial Load (lbs.)	Max. Radial Load (lbs.)	Color Code
60278-1	215	80	Yellow
60278-2	360	120	Red
60278-3	490	175	Green
60278-4	860	265	Blue
60278-5	1330	370	White

AXIAL LOAD VS DEFLECTION

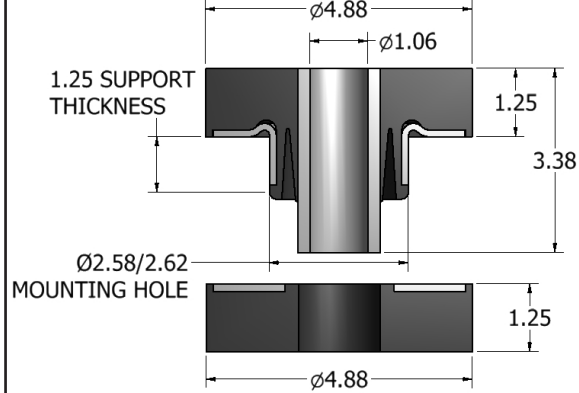


RADIAL LOAD VS DEFLECTION



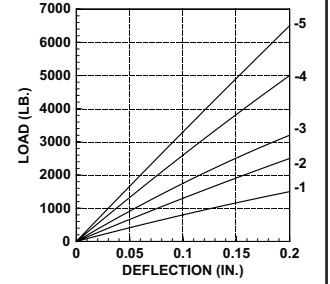
Wear Plate Universal Mounts

60285 Series



Part No.	Max. Axial Load (lbs.)	Max. Radial Load (lbs.)	Color Code
60285-1	1000	180	Yellow
60285-2	1750	275	Red
60285-3	2250	400	Green
60285-4	3200	500	Blue
60285-5	4200	700	White

AXIAL LOAD VS DEFLECTION



RADIAL LOAD VS DEFLECTION

